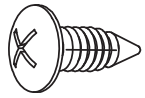
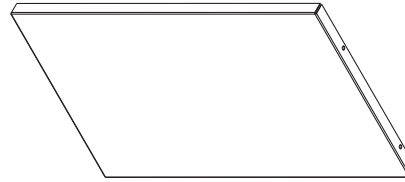


Log Stand Installation



Screw (x10)



Metal panel (x1)

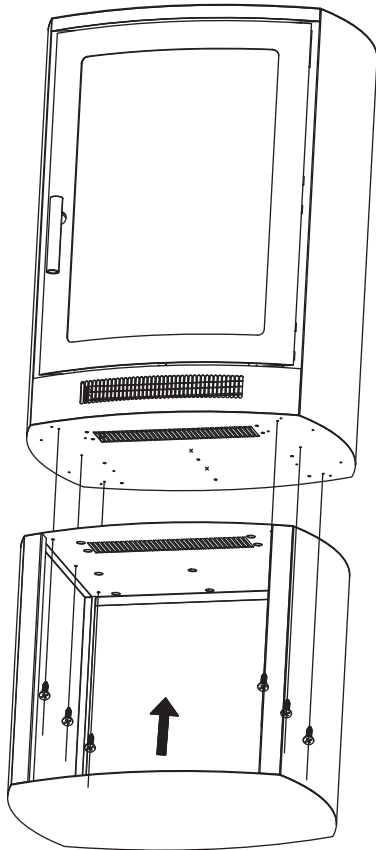


Fig 1

Step 1. Attach the electric stove to the log stand and secure with screws. **(Fig 1)**

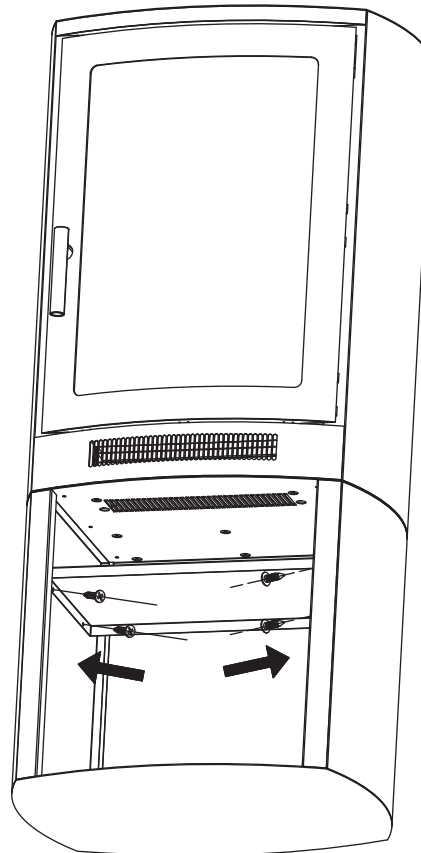


Fig 2

Step 2. Fix the metal panel with screws. **(Fig 2)**

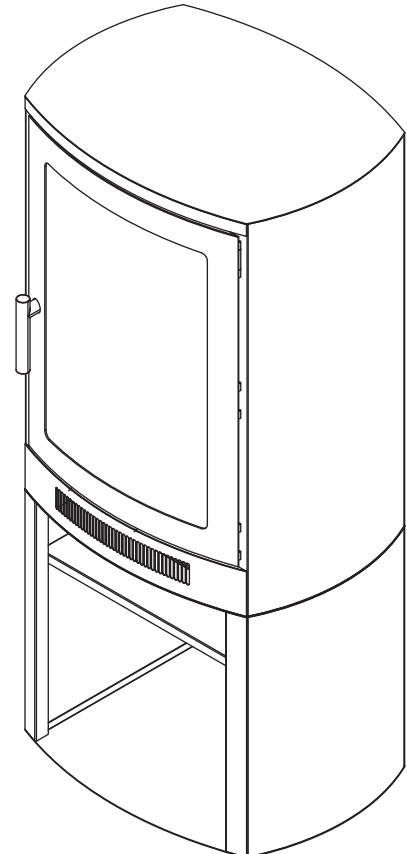


Fig 3

Step 3. Installation completed. **(Fig 3)**