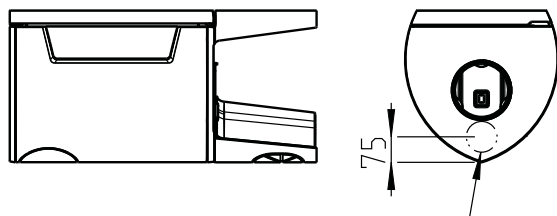


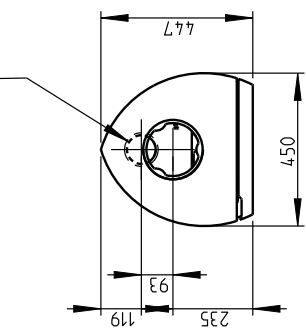
Jøtul F 162 / Jøtul F 163

Fig. 1a

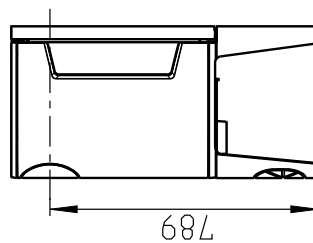
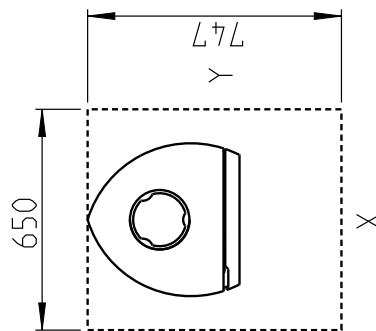
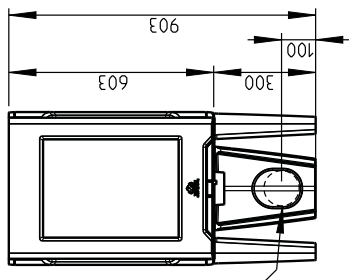
Outside air cover:  
Hole in floor for  
external air Ø100 mm



Hole in floor for  
external air Ø100 mm



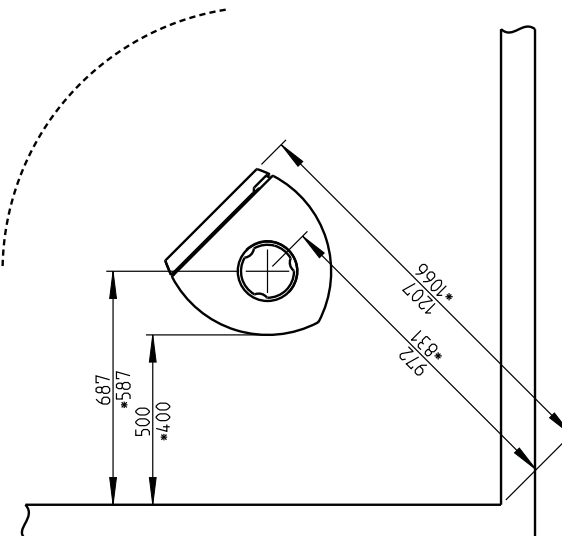
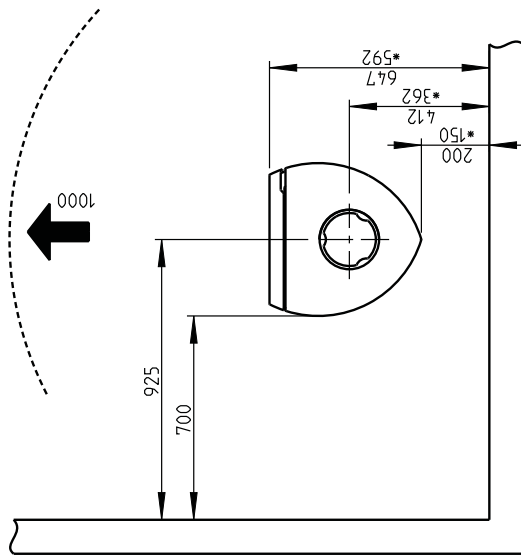
Hole in wall for  
external air  
Ø100 mm



Min. measurements floor plate X, Y =  
According to national standards  
and regulations. See chapter 4.1

Min. distance to combustible wall

Combustible wall



\* With semi-insulated chimney / covered flue pipe down  
towards the product.

Jøtul F 162 / Jøtul F 163

Fig. 1b

