

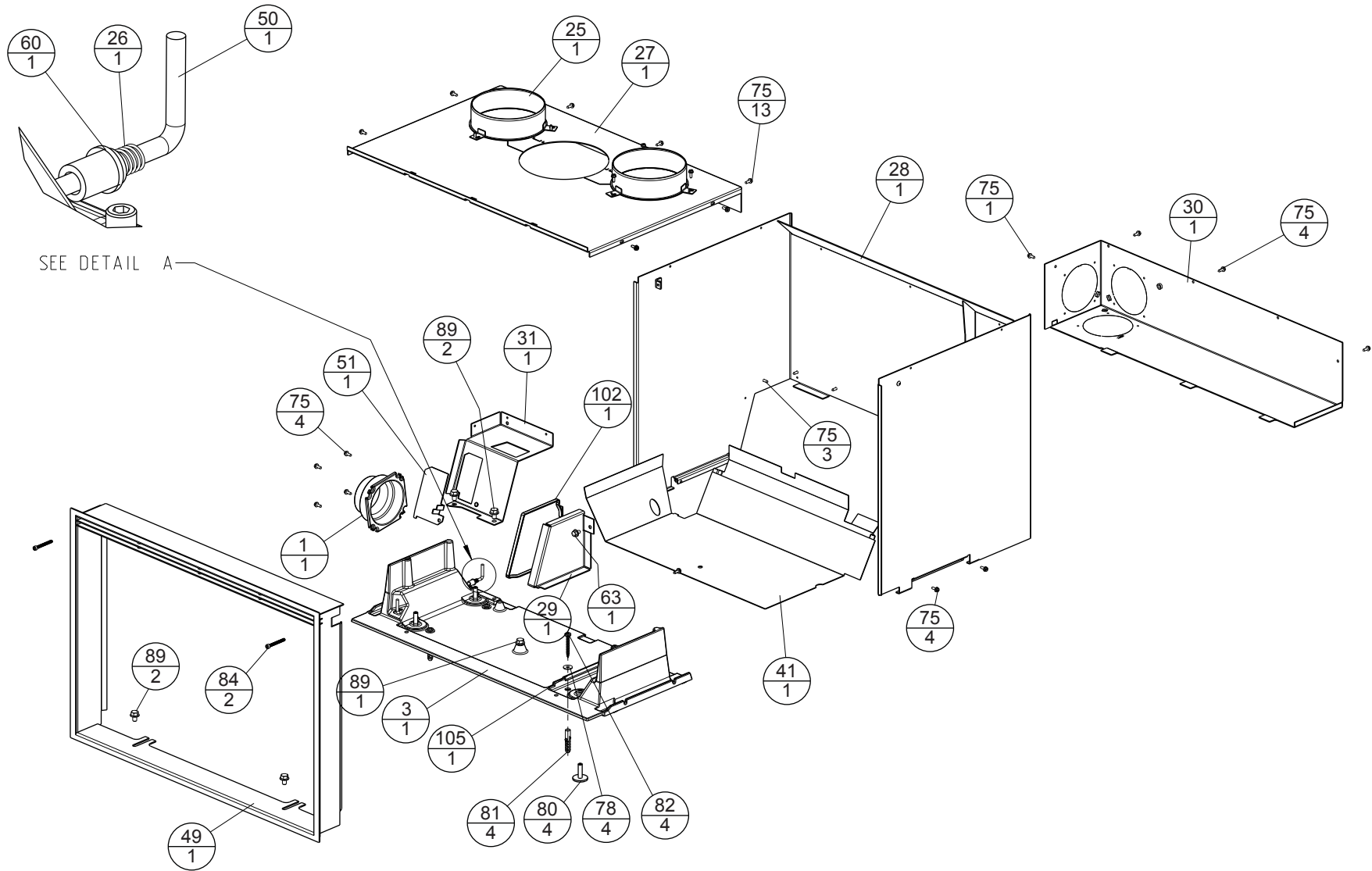
Partlist, Jøtul C 24

Jøtul AS
Fredrikstad, Norway

Draw.no: Sheet 1/3
900140-P01

Date:
28.01.2014

DETAIL A
SCALE 1:1

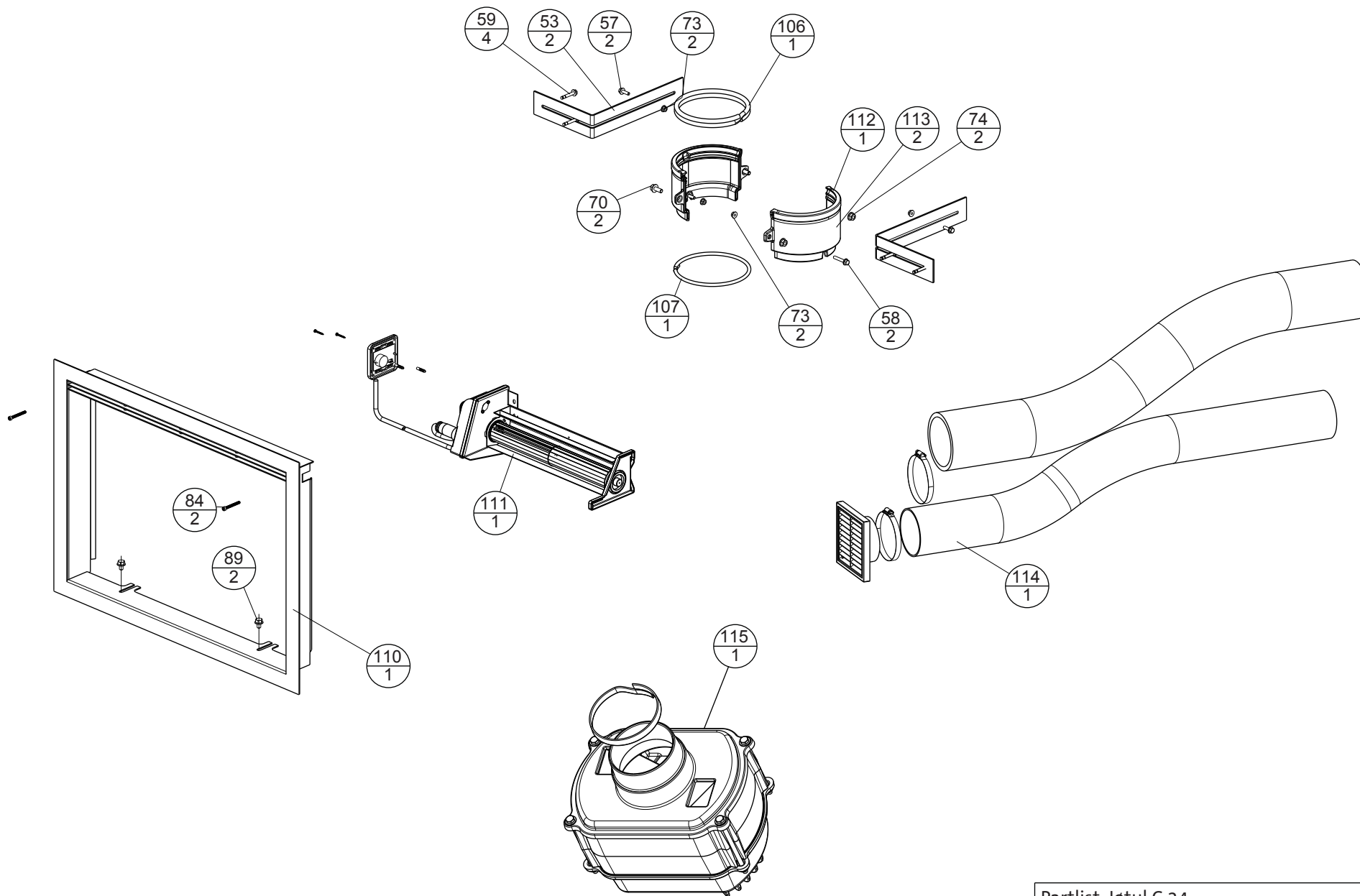


Partlist, Jøtul C 24

Jøtul AS
Fredrikstad, Norway

Draw.no: Sheet 2/3
900140-P01

Date:
28.01.2014



Partlist, Jøtul C 24		
Jøtul AS Fredrikstad, Norway	Draw.no: Sheet 3/3 900140-P01	Date: 28.01.2014

Jøtul C 24

BP= Sort lakk / Black Paint, UP= Ulakkert / Unpainted, BE= Black Enamel

Pos. no.	Spareparts	Consist of pos.no:	Benevnelse	Description	Dim./Spec.
1	12044799		Stuss uteluft Ø80/100	Connector Outside Air Ø80/100 UP	Cast Iron min 4mm thickness
2			Bunnplate UP	Bottom Plate UP	Cast Iron min 4mm thickness
2	12044803	2,90,91,94(2pcs)	Bunnplate med 4 Pakninger UP	Bottom Plate Incl. 4 gaskets UP	
3	12044805		Bunn Konveksjonskammer	Bottom Convection Chamber	Cast Iron min 4mm thickness
4	12044806		Bakplate UP	Rear Plate UP	Cast Iron min 4mm thickness
5	12044807		Sideplate venstre UP	Side Plate Left UP	Cast Iron min 4mm thickness
6	12044808		Sideplate høyre UP	Side Plate Right UP	Cast Iron min 4mm thickness
7	12045796		Topplate BP	Top Plate BP	Cast Iron min 4mm thickness
8	12044814		Luftkanal primærluft UP	Air Manifold Primary Air UP	Cast Iron min 4mm thickness
9	12044815		Hvelv UP	Hvelv UP	Cast Iron min 4mm thickness
10	12044816		Ledeplate UP	Exhaust Deflector UP	Cast Iron min 4mm thickness
11	12044818		Fyrrist UP	Fire Grate UP	Cast Iron min 4mm thickness
12			Brennplate bakre UP	Burn Plate Rear UP	Cast Iron min 4mm thickness
12	12044836	12,95	Brennplate bakre med 2 pakninger UP	Burn Plate Rear incl. 2 gaskets UP	
13			Front Askehus UP	Front Ash House UP	Cast Iron min 4mm thickness
13	12044845	13,96	Front Askehus med pakning BP	Front Ash House Incl. Gasket BP	
14			Brennplate venstre UP	Burn Plate Left UP	Cast Iron min 4mm thickness
14	12044846	14,34	Brennplate venstre med isolasjon UP	Burn Plate Left incl. Insulation UP	
15			Brennplate høyre UP	Burn Plate Right UP	Cast Iron min 4mm thickness
15	12044847	15,34	Brennplate høyre med isolasjon UP	Burn Plate Right incl. Insulation UP	
16	12044848		Askehus UP	Ash House UP	Cast Iron min 4mm thickness
17	12044849		Luftkanal opptenningsluft UP	Manifold Ignition air UP	Cast Iron min 4mm thickness
18			Dør UP	Door UP	Cast Iron min 4mm thickness
18	12044853	18,45,46,64,74,76(6pcs),77(2pcs),83(6pcs),100,103,104(2pcs)	Dør kompl u/glass BP	Door Compl Excl/Glass BP	
19			Deksel for ventil UP	Cover Plate For Valve UP	Cast Iron min 4mm thickness
19	12044857	19,93,101	Deksel for ventil med 2 pakninger UP	Cover Plate For Valve Incl. 2 gaskets UP	
25	10024209		Stuss for konveksjonskammer	Air Outlet For Convection Chamber	Steel
26	10024264		Fjær	Spring	Stainless steel
27	10038369		Konveksjonstopp	Convection Top	Aluzinc_DX51D+AZ
28	10038370		Konveksjonssider komplett	Konvection Sides Complete	Aluzinc_DX51D+AZ
29	10038371		Innluft sidedeksel	Air Intake Side Cover	Aluzinc_DX51D+AZ
30	10038372		Vifteluke komplett	Fan Hatch Complete	Aluzinc_DX51D+AZ
31	10038394		Boks til innluft	Box For Air Intake	Aluzinc_DX51D+AZ
32	10038395		Askeskuff	Ash Pan	Aludip_DX51D+AS
33	10038396		Glass dør	Glas Door	Glass Ceramic
34	10038398		Isolasjonsmatte 250x145x13	Insulation Blanket 250x145x13	
35	10038411		Ventil primærluft	Valve Primary Air	Stainless
36	10038412		Hendel primærluft BE	Handle Primary Air BE	Steel
37	10038413		Ventil opptenning	Valve Ignition	Aludip_DX51D+AS
38	10038414		Hendel opptenning BP	Handle Ignition BP	Steel
39	10038415		Tetteplate primærluft	Sealing Plate Primary Air	Aludip_DX51D+AS
40	10038416		Tetteplate opptenning	Sealing Plate Ignition	Aludip_DX51D+AS
41	10038417		Skjermplate askehus	Heat Shield Ash House	Aluzinc_DX51D+AZ
42	10038495		Overføringsplate primærluft	Transmission Plate Valve	Aludip_DX51D+AS
43	10038518		Hengsel for dør komplett	Hinge For Door Complete	Steel
44	10038519		Låsejern BP	Catch For Door BP	Steel
45	10038522		Dørlås komplett	Door Lock Complete	Steel
46	10038523		Håndtak for dør BP	Handle For Door BP	Steel
47	10038533		Aksel opptenningsventil	Rod Ignition Air	Steel
48	10038536		Aksel for primær ventil	Rod For Primary Valve	Stainless
49			Smal ramme	Narrow Frame	Steel
49	10038540	49,84(2pcs),89(2pcs)	Smal ramme komplett, tilleggsutstyr	Narrow Frame Complete, Optional	Steel
50	10038551		Innluft hendel	Air Intake Handle	Steel
51	10038552		Lokk til innluft	Air Intake Cover	Aluzinc_DX51D+AZ
52	10026565		Fjær for ventiler	Spring For Valve	Stainless

Jøtul C 24

BP= Sort lakk / Black Paint, UP= Ulakkert / Unpainted, BE= Black Enamel

<i>Pos. no.</i>	<i>Spareparts</i>	<i>Consist of pos.no:</i>	<i>Benevnelse</i>	<i>Description</i>	<i>Dim./Spec.</i>
Blower cat. no. 50044779					
111	50044779		Vifte	Blower Unit	
111	50047255		Styringsboks komplett	Control Box Complete	
Adaptor cat. no. 51044856					
112	51044856	53(2p),57(2p),58(2p),59(4p),70(2p),73(4p),74(2p),113(2p),106,107	Adapter Ø150 komplett	Adaptor Ø150 Complete	
113			Adapter Ø150 UP	Adaptor Ø150 UP	Cast Iron min 4mm thickness
Outside Air Connection Ø100mm cat no. 51012164					
114	51012164		Utelufttilkobling Ø100mm	Outside Air Connection Ø100mm	
Heat Exchanger Complete cat no. 51047160					
115	51047160		Varmeveksler komplett	Heat Exchanger Complete	

Draw. no. 900141-P07