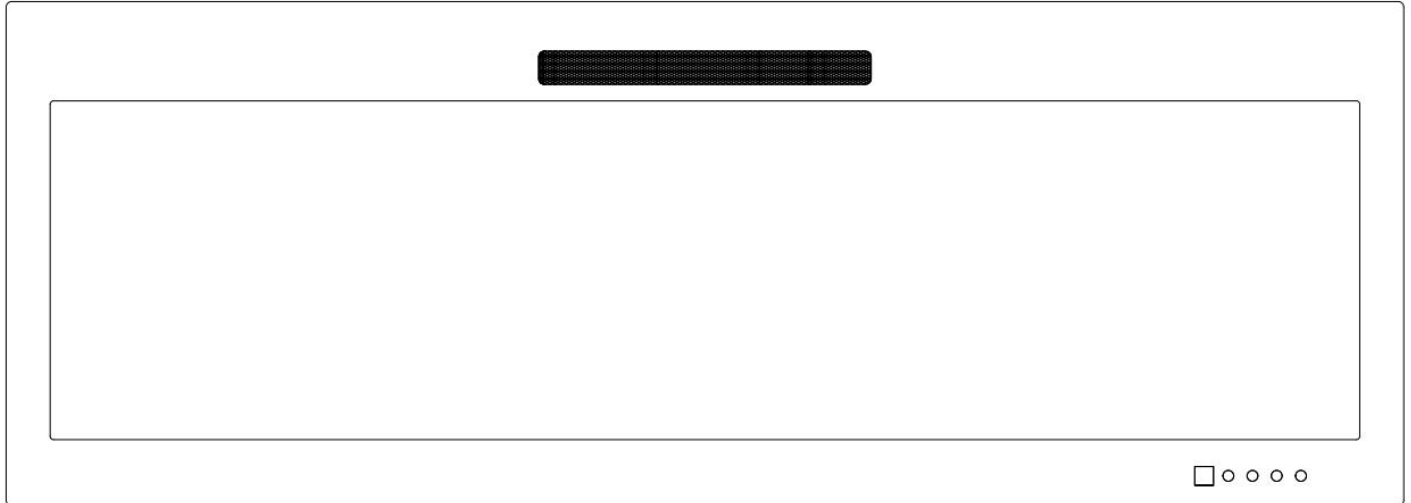


# SLIM WALL MOUNTED & WALL RECESSED FIREPLACE

Model# :  VL42-S2  VL50-S2  VL60-S2

VL72-S2  VL84-S2  VL100-S2

## OWNER'S MANUAL



42"/50"/60"/72"/84"/100" Wall Mounted / Built-in  
Electric Fireplace

**AC 220-240V 50Hz 1400-1600W**

### **WARNING**

**Read and understand** this entire owner's manual, including **all safety information**, before plugging in or **using** this product. Failure to do so could result in **fire, electric shock, or serious personal injury**.

### **CAUTION**

**Keep this owner's manual** for future reference. If you sell or give this product away, **make sure this manual accompanies this product**.

**vision**LINE™  
fireplace systems

# IMPORTANT SAFETY INFORMATION!

## WARNING

**When using electrical appliances basic precautions should always be followed to reduce the risk of fire, electric shock and injury to persons, including the following:**

- Read all instructions before using this heater.
- This heater is hot when in use. To avoid burning, do not touch hot surface. If provided, use handles when moving this heater. Keep combustible materials, such as furniture, pillows, bedding, papers, clothes, and curtains at least 1 m from the front of the heater and keep them away from the sides and rear. In order to avoid overheating, do not cover the heater.
- Extreme caution is necessary when any heater is used near children or the infirm and whenever the heater is left operating and unattended.
- Always unplug heater when not in use.
- Do not operate any heater with a damaged cord or plug or after the heater malfunctions, has been dropped damaged in any manner, return heater to authorized service facility for examination, electrical or mechanical adjustment, or repair.
- Indoor use only, do not use outdoors.
- This heater is not intended for use in bathrooms, laundry areas and similar indoor locations. Never locate heater where it may fall into a bathtub or other water container.
- Do not run cord under carpeting. Do not cover cord with throw rugs, runners, or similar coverings. Arrange cord away from traffic area and where it will not be tipped over.
- To disconnect heater, turn controls to off, then remove plug from outlet.
- Do not inset or allow foreign objects to enter any ventilation or exhaust opening as this may cause an electric shock or fire, or damage the heater.
- To prevent a possible fire, do not block air intakes or exhaust in any manner. Do not use on soft surfaces, like a bed, where openings may become blocked.
- A heater has hot and arcing or sparking parts inside. Do not use it in areas where gasoline, or flammable liquids are used or stored.
- Use this heater only as describes in this manual. Any other use not recommended by the manufacturer may cause fire, electric shock, or injury to persons.
- DANGER-HIGH Temperatures may be generated under certain abnormal conditions. Do not partially or fully cover or obstruct the front of this heater.
- Replacement of the lamps should be done only while the heater is disconnected from the supply circuit.
- This appliance is not intended for use by persons (including children) with reduced physical, sensory or capabilities, or lack of experience and knowledge, unless they have been given supervision or instruction concerning use of the appliance by a person responsible for their safety. Children should be supervised to ensure that they do not play with the appliance.
- CAUTION: In order to avoid a hazard due to inadvertent resetting of the thermal cut-out, this appliance must not be supplied through an external switching device, such as a timer, or connected to a circuit that is regularly switched on and off by the utility.

# Preparation



This product includes a **GLASS panel!** Always use **extreme caution** when handling **glass**. Failure to do so could result in **personal injury** or **property damage**.

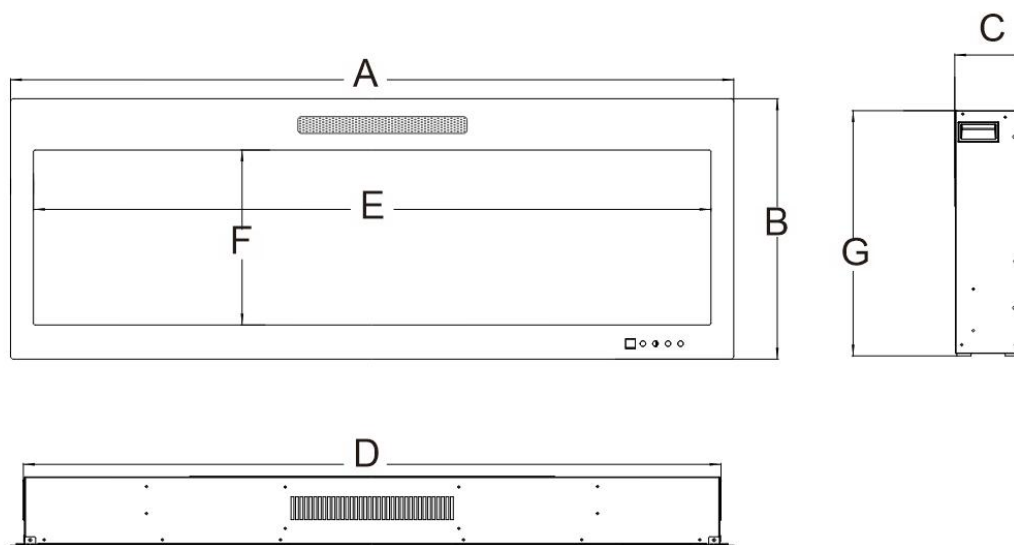
Remove all parts and hardware from the carton and place them on a clean, soft, dry surface. Parts and assembly steps are grouped for wall-hanging or recessing use. Check the parts list to make sure nothing is missing. Dispose of packaging materials properly. Please recycle whenever possible.

**You will need the following tools (not included):** Phillips screwdriver; stud finder; level; tape measure; electric drill; 1/4" wood drill bit, hammer.

# Parts and Hardware

<p><b>A – Fireplace</b></p>		<p><b>B – Wood Screws</b></p>		<p><b>C – Drywall anchors</b></p>			
		<p><b>D- Remote Control</b></p>		<p><b>E - “L”Shape Bracket</b></p>			
		<p><b>F-Metal cover plate</b></p>	<p><b>G-Box connector</b></p>	<p><b>H-Plastic strip White</b></p>	<p><b>I-Decorative clear crystals (Large&amp;small)</b></p>	<p><b>J - Log-set</b></p>	<p><b>K- Drift Log Pieces</b></p>

# Specification and Dimension



PRODUCTION DIMENSIONS							
Model No	A	B	C	D	E	F	G
VL42-S2 (BEF-42WM03A)	42" [1067mm]	18" [457mm]	5" [126.2mm]	40 1/4" [1022mm]	38 3/4" [987mm]	12" [307mm]	17" [430.3mm]
VL50-S2 (BEF-50WM03A)	50" [1270mm]	18" [457mm]	5" [126.2mm]	48 1/4" [1225.2mm]	46 3/4" [1190mm]	12" [307mm]	17" [430.3mm]
VL60-S2 (BEF-60WM03A)	60" [1524mm]	18" [457mm]	5" [126.2mm]	58 1/4" [1479.2mm]	56 3/4" [1444mm]	12" [307mm]	17" [430.3mm]
VL72-S2 (BEF-72WM03A)	72" [1828mm]	18" [457mm]	5" [126.2mm]	70 1/4" [1783.2mm]	68 3/4" [1748mm]	12" [307mm]	17" [430.3mm]
VL84-S2 (BEF-84WM03A)	84" [2133mm]	18" [457mm]	5" [126.2mm]	82 1/4" [2088.2mm]	80 3/4" [2053mm]	12" [307mm]	17" [430.3mm]
VL100-S2 (BEF-100WM03A)	100" [2540mm]	18" [457mm]	5" [126.2mm]	98 1/4" [2495.2mm]	96 3/4" [2460mm]	12" [307mm]	17" [430.3mm]

## Installation and Assembly

Your appliance is a wall-mounted, recessed and/or mantel installed appliance. Select a suitable location that is not susceptible to moisture and is away from drapes, furniture and high traffic areas.

**NOTE: Follow all National and local electrical codes.**

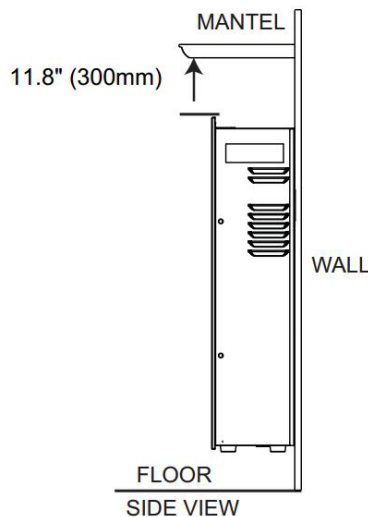
### MINIMUM CLEARANCE TO COMBUSTIBLES

Measurements are taken from the glass front.			
Bottom	0"	Top	11.8" (300mm) to mantel
Sides	0"	Top	11.8" (300mm) to ceiling
Back	0"		

### MINIMUM MANTEL CLEARANCES

## WARNING

**WHEN USING PAINT OR LACQUER TO FINISH THE MANTEL, THE PAINT OR LACQUER MUST BE HEAT RESISTANT TO PREVENT DISCOLOURATION.**



# Wall Recessed Pre-installation

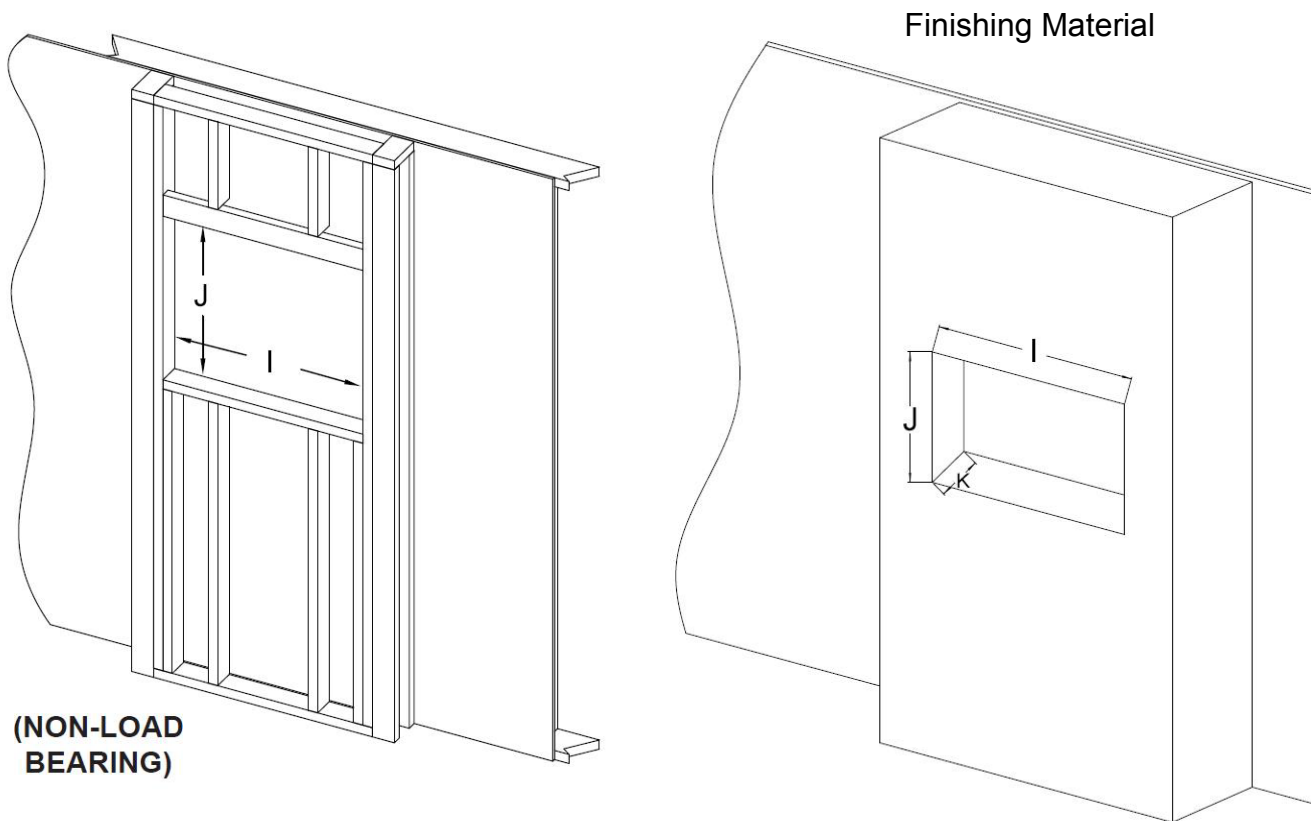
Due to the many different materials used on different walls, it is highly recommended that you consult your local builder before you install this appliance.

**A.** Select a location that is not prone to moisture and is located at least 36" (94.1cm) away from combustible materials such as curtain drapes, furniture, bedding, paper, etc.

**B.** Create a rough-in frame with electrical (see below "framing").

**C.** Remove the front glass (see "front glass removal / installation" section).

**D.** Hold the appliance up to ensure it will fit into the framing.



Framing Hole Size			
Model No.	I	J	K
VL42-S2(BEF-42WM03A)	1030mm	440mm	150mm
VL50-S2(BEF-50WM03A)	1232mm	440mm	150mm
VL60-S2(BEF-60WM03A)	1488mm	440mm	150mm
VL72-S2(BEF-72WM03A)	1790mm	440mm	150mm
VL84-S2(BEF-84WM03A)	2098mm	440mm	150mm
VL100-S2(BEF-100WM03A)	2505mm	440mm	150mm

# Front Glass Panel Removal

**A.** Take off the screws on both side.(Fig. 1-1 )

**B.** Carefully lift the front trim up and away from the appliance (Fig. 1-2 ). Place it face down on a soft, non-abrasive surface.

**C.** Reverse these steps to install the front glass.

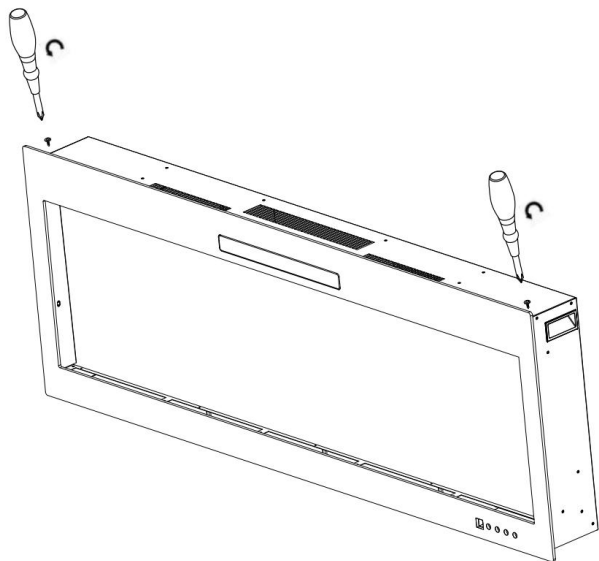


Fig. 1-1

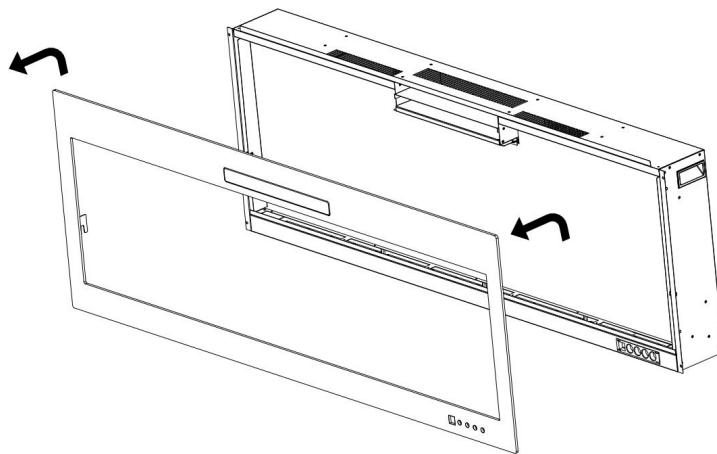
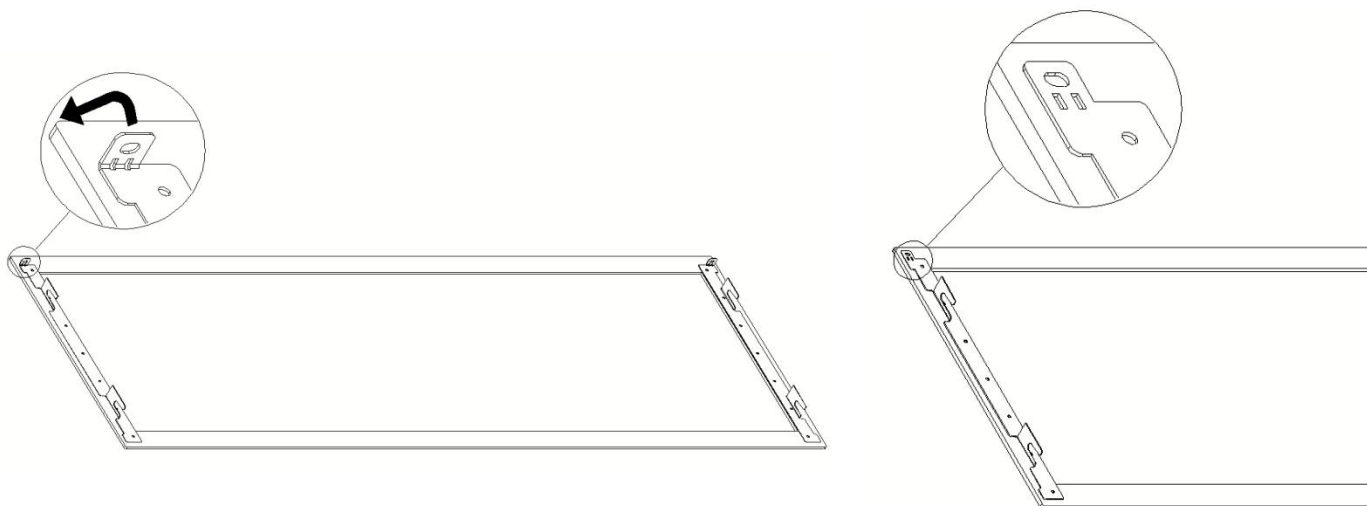


Fig. 1-2

**NOTE:** The appliance tabs come bent. You must bend the tab flat by hand when fully recessing the appliance into the wall.



# Wall Recessed Installation

- A. Take off the screws (1 per side) from the sides of the fireplace. Set the screws aside (Fig. 2-1)
- B. Remove the two brackets and set them aside. (Fig. 2-2)

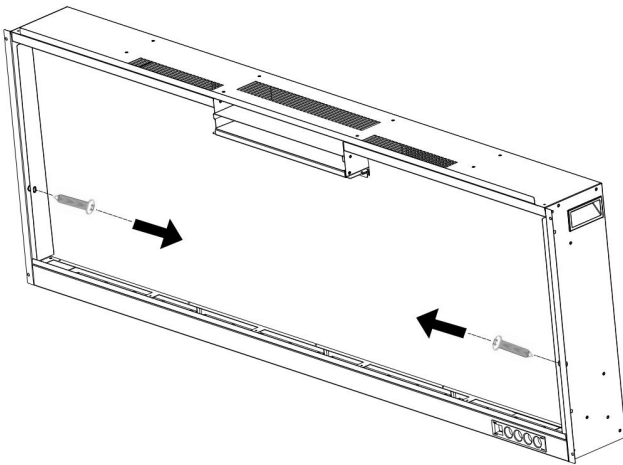


Fig. 2-1

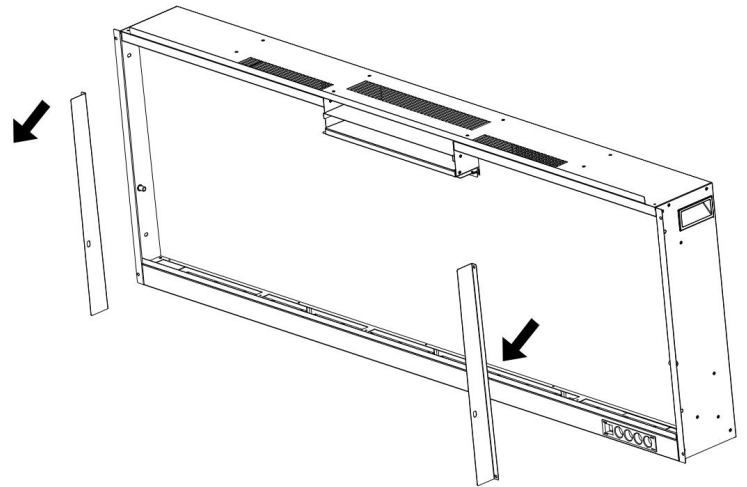


Fig. 2-2

- C. Power the fireplace by plug-into the wall receptacle.
- D. Have two adult people to lift up the fireplace and insert it into the rough-in frame and then secure it by installing 4 wood screws (B) through the holes (Fig. 2-3, Fig 2-4).
- E. Put the decorative crystals or log-set to the ember bed, then re-install the front glass.
- F. Reverse these steps to re-install front glass.

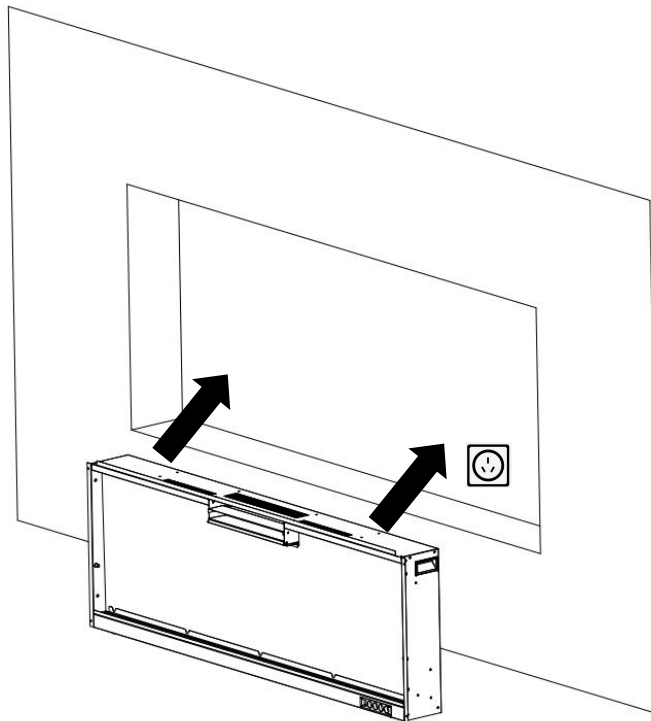


Fig. 2-3

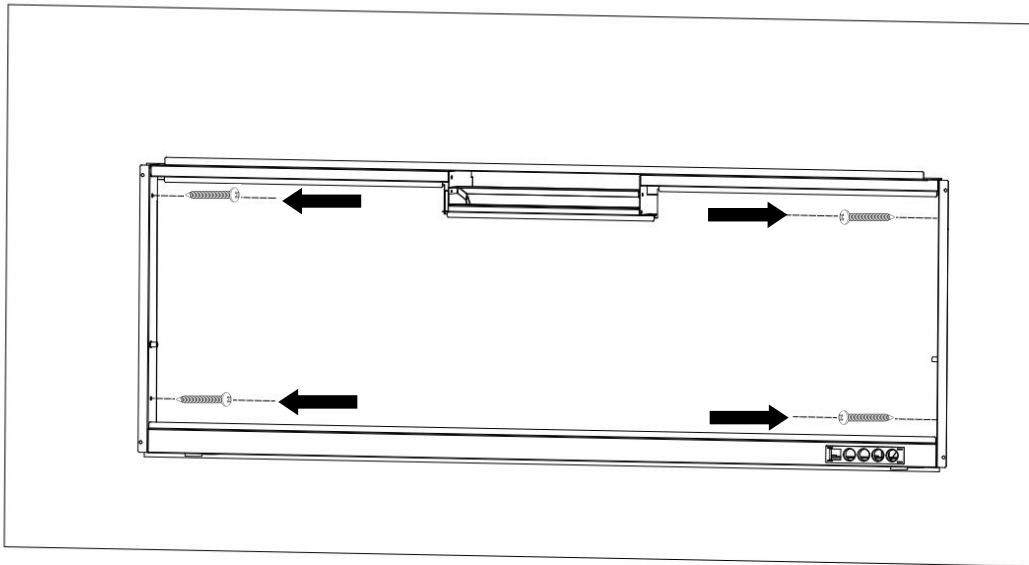


Fig. 2-4

Due to the many different materials used on different walls, it is highly recommended that you consult your local builder before you install this appliance on the wall.

**A.** Select a location that is not prone to moisture and is located at least 36" (914mm) away from combustible materials such as curtain drapes, furniture, bedding, paper, etc.

**B.** Have two people hold the appliance against the wall to determine the final location.

**C.** Place unit face down on a soft, non abrasive surface. **Remove the bracket from the back of the unit by removing the screws, refer to Figure 3.**

**D.** Mark out location, then mount the bracket(s) onto the wall using the supplied screws. This bracket

MUST have the hooks facing upward and be level. **NOTE: It is strongly**

**recommended that the**

**mounting bracket be**

**Screwed into the wall studs**

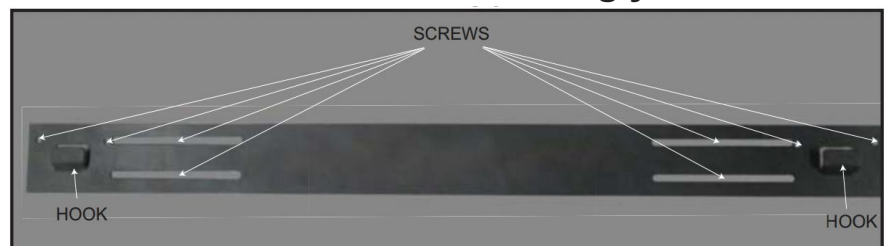
**Where possible. If the wall**

**Studs cannot be used, ensure**

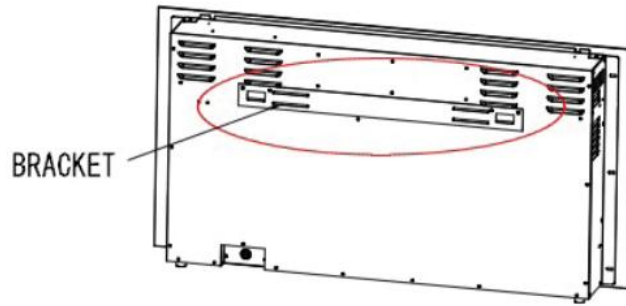
**That the supplied plastic anchors are used to affix the bracket to the wall and the bracket is adequately secured.**

**E.** With the wall mounting bracket installed have two people lift the appliance up and insert the two hooks on the bracket into the two slots on the back of the appliance.

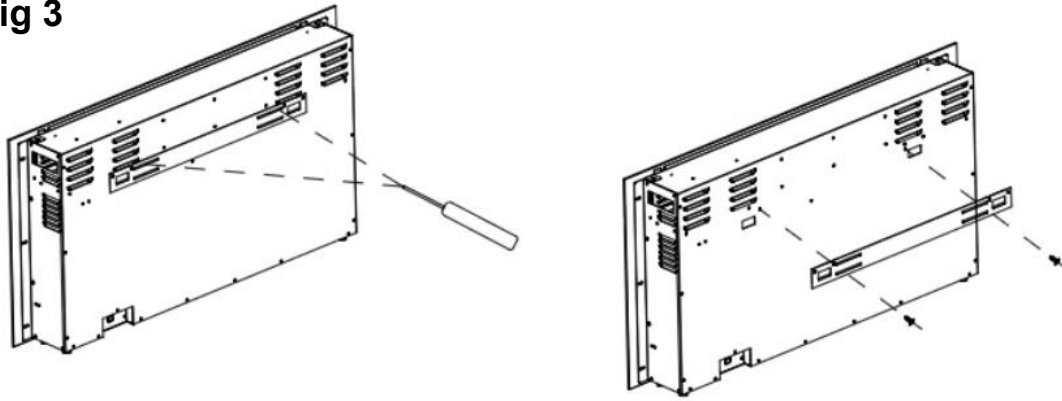
**F.** Check the appliance for stability ensuring that the bracket will not pull free from the wall.



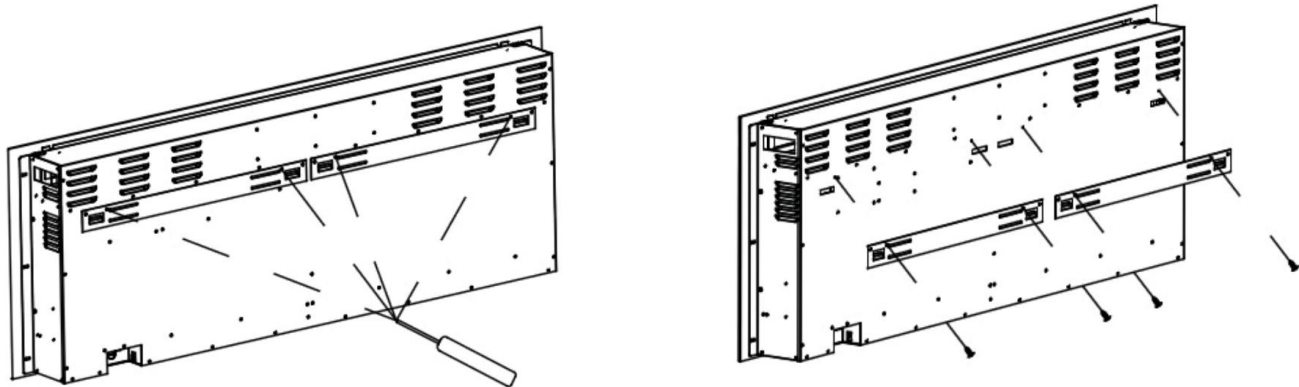
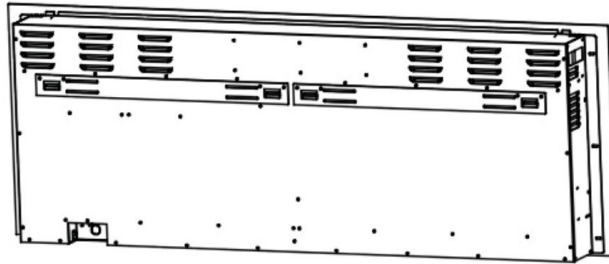




**Fig 3**



VL42-84-S2 Wall Bracket Illustrated



VL100-S2 Wall Bracket Illustrated

## “L” Shape Bracket Installation

A. Remove the silver screw at the bottom of the appliance. (Fig 4-1). Set the screw aside.

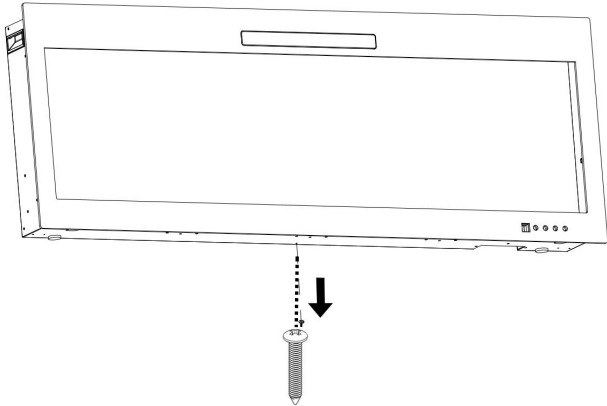


Fig 4-1

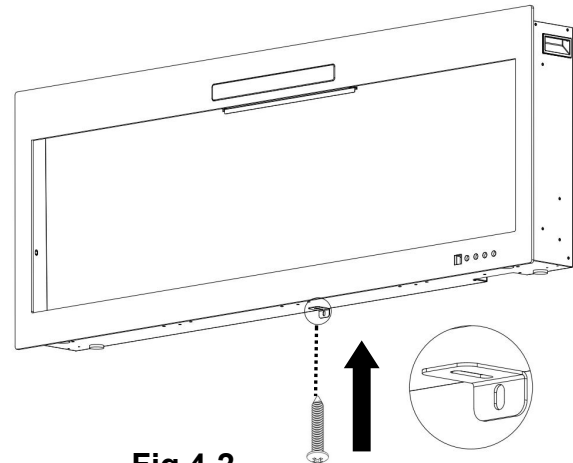
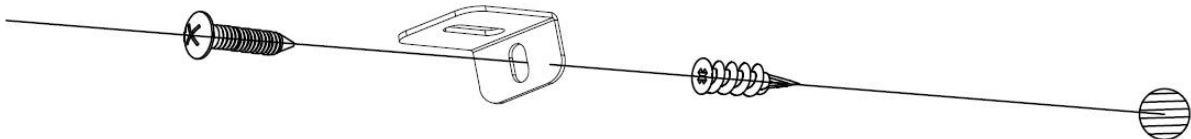


Fig 4-2

B. Using the screw previously removed, attached the L-bracket (supplied) to the bottom of the fireplace box. (Fig 4-2)



C. Install the plastic anchor (C) into the drywall, then install the screw B (supplied) into the hole of the L-bracket into the wall anchor to secure the fireplace from coming off the hooks. (Fig 4-3)

## Hard Wiring Installation

### WARNING

TURN OFF THE APPLIANCE COMPLETELY AND LET COOL BEFORE SERVICING. ONLY A QUALIFIED SERVICE PERSON SHOULD SERVICE AND REPAIR THIS ELECTRIC APPLIANCE.

### HARD WIRING CONNECTION

If it is necessary to hard wire this appliance, a qualified electrician must remove the cord connection, and wire the appliance directly to the house hold wiring.

This appliance must be electrically connected and grounded in accordance with local codes. **If hard wired, a isolation switch must be installed**

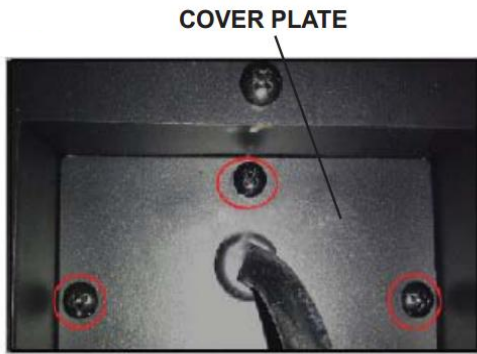


Fig 5-1

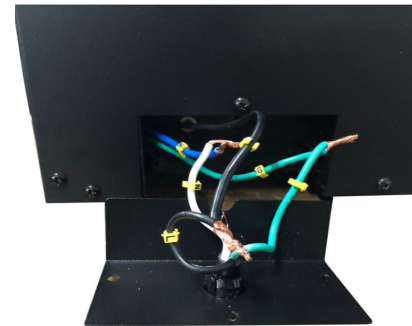
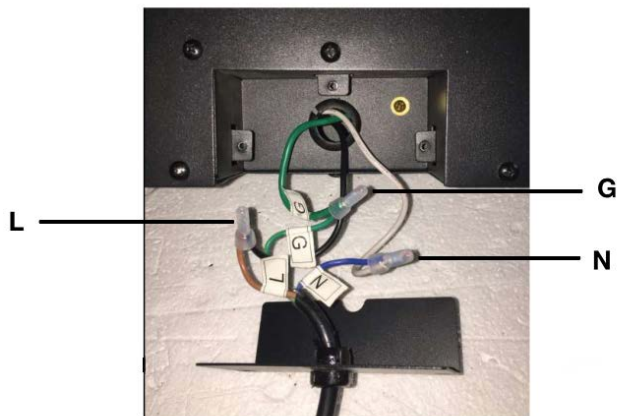


Fig 5-2

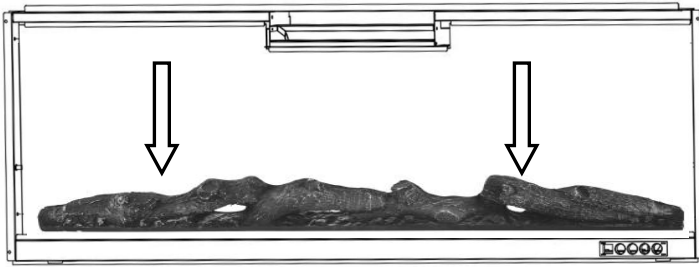
- A. Remove the cover plate from the right side bottom of the appliance by removing the three screws, as shown above. **Fig 5-1**
- B. Remove the wire connectors from the power cord. The power cord may be discarded. **Fig 5-2**
- C. Take the new cover plate, supplied in the hardware bag. Punch out the 7/8" (22.2mm) hole and install a box connector through, into the junction box. Snap the box connector clamp onto the supply wires.
- D. Using the wire connectors, connect the ground green wires (G), the common white wires (N) together, then the hot black wires (L) and then the refer to **Fig 5-3**
- E. Reinstall the cover plate using the three screws, as shown in Figure 1.

Fig 5-3

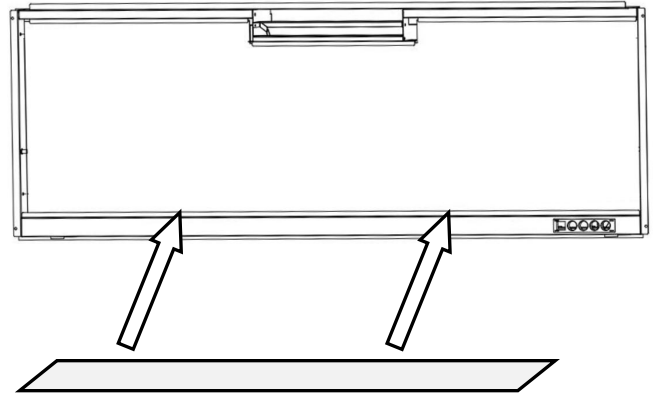


## Decorative Crystal Installation

- A. Glass front must be removed and the appliance must be mounted in its final location before the log-set and crystal are installed.
- B. Remove the log-set (J) from the package, put it to the fireplace designed place. **Fig 6-1.**
- C. To switch to clear crystals. Place the plastic tray (H) to the fireplace designed place. Then carefully place the clear crystals (I) and drift log pieces (K) onto the plastic strip Apply an even layer from side to side. **Fig 6-2, Fig 6-3.**



**Fig 6-1.** (Log-set)



**Fig 6-2.** (Plastic Strip)



**Fig 6-3.** (Clear Crystals)

## Operation



**Read and understand** this entire owner's manual, including **all safety information**, before **plugging in** or **using** this product. Failure to do so could result in **electric shock, fire, serious injury, or death.**

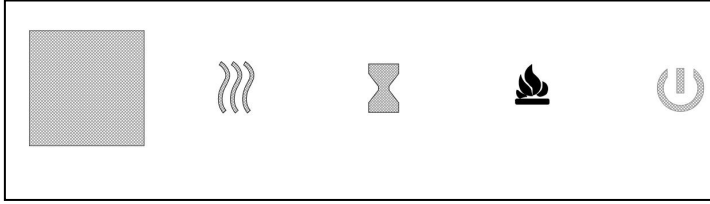
### Power

Plug the power cord into a 220-240 Volt 15 Amp grounded outlet (see **IMPORTANT SAFETY INFORMATION** on **Pages 2 and 3**). Make sure the outlet is in good condition and that the plug is not loose. **NEVER** exceed the maximum amperage for the circuit. **DO NOT** plug other appliances into the same circuit.

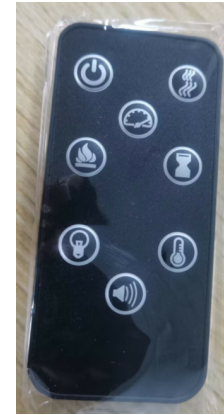
### Methods of Operation

This electric fireplace can be operated by the TOUCH CONTROL PANEL, located on the bottom right side glass panel of fireplace, or by the battery-powered REMOTE CONTROL.

Before operating, please review the **IMPORTANT SAFETY INFORMATION** on **Pages 2 and 3**, and heed all warnings.







Touch-on Control Panel










Remote control


## Touch-on Control Panel Operation

BUTTON	FUNCTION	ACTION & INDICATION
 <b>POWER</b>	<p><b>ON:</b> Enables control panel functions and remote control. Turns on flame effect.</p> <p><b>OFF:</b> Disables control panel functions and remote control. Turns off flame effect.</p>	<ol style="list-style-type: none"> <li><b>Press once.</b> Indicator light turns on. Power turns on. All functions enabled.</li> <li><b>Press again.</b> Flame effect turns off. Unit goes to standby. All functions turn off.</li> </ol>
 <b>COLOR</b>	<p><b>COLOR button:</b> Makes the color flame effect changing.</p> <p><b>NOTE:</b> color effect stays on until power button is turned off. Color flame effect must be on for heater to turn on.</p>	<ol style="list-style-type: none"> <li><b>Press once.</b> Flame color effect gets changing.</li> <li>Press again until desired setting is reached. In total with 10 color flames.</li> </ol>
 <b>TIMER</b>	<p><b>TIMER button:</b> Controls timer settings to turn off fireplace at selected time.</p> <p>Settings range from 0.5 hours to 8 hours.</p>	<ol style="list-style-type: none"> <li><b>Press once.</b> Indicator light turns on. Timer is set to 0.5 hours.</li> <li><b>Press again until desired setting is reached.</b></li> </ol>
 <b>HEATER</b>	<p><b>HEATER button:</b> Turns heater on and off.</p> <p><b>NOTE:</b> The heater only works when the flame effect is on. If the flame effect is off, the heater will not turn on.</p> <p><b>NOTE:</b> Heater button can be locked or unlocked by holding the Heater button for 5 seconds.</p>	<ol style="list-style-type: none"> <li><b>Press once.</b> Indicator lights up. Fan blows cool air for 10 seconds. 750W heater turns on and blows warm air.</li> <li><b>Press again.</b> Indicator lights up. 1500W heater turns on and blows hot air.</li> <li><b>Press again.</b> Heaters turn off. The fan blows cool air for 10 seconds to allow heater to cool down, then turns off.</li> </ol>

## Remote Control Operation

BUTTON	FUNCTION	ACTION & INDICATION
 <b>POWER</b>	<p><b>ON:</b> Enables control panel functions and remote control. Turns on flame effect.</p> <p><b>OFF:</b> Disables control panel functions and remote control. Turns off flame effect.</p>	<ol style="list-style-type: none"> <li><b>Press once.</b> Indicator light turns on. Power turns on. All functions enabled.</li> <li><b>Press again.</b> Flame effect turns off. Unit goes to standby. All functions turn off.</li> </ol>
 <b>TIMER</b>	<p><b>TIMER button:</b> Controls timer settings to turn off fireplace at selected time.</p> <p>Settings range from 0.5 hours to 8 hours.</p>	<ol style="list-style-type: none"> <li><b>Press once.</b> Indicator light turns on. Timer is set to 0.5 hours.</li> <li><b>Press again until desired setting is reached.</b> Indicator lights show setting.</li> </ol>
 <b>FLAME</b>	<p><b>FLAME button:</b> Makes flame effect dimmer and brighter.</p> <p><b>NOTE:</b> Flame effect stays on until power button is turned off. Flame effect must be on for heater to turn on.</p>	<ol style="list-style-type: none"> <li><b>Press once.</b> Flame brightness effect gets changing.</li> <li><b>Press again.</b> until desired setting is reached.</li> </ol>
 <b>COLOR</b>	<p><b>COLOR button:</b> Makes the color flame effect changing.</p> <p><b>NOTE:</b> color effect stays on until power button is turned off. Color flame effect must be on for heater to turn on.</p> <p><b>NOTE:</b> this fireplace is with memory function for flame.</p>	<ol style="list-style-type: none"> <li><b>Press once.</b> Flame color effect gets changing.</li> <li><b>Press again</b> until desired setting is reached. In total with 10 color flames.</li> </ol>
 <b>HEATER</b>	<p><b>HEATER button:</b> Turns heater on and off.</p> <p><b>NOTE:</b> The heater only works when the flame effect is on. If the flame effect is off, the heater will not turn on.</p> <p><b>NOTE:</b> Heater button can be locked or unlocked by holding the Heater button for 5 seconds.</p>	<ol style="list-style-type: none"> <li><b>Press once.</b> Indicator lights up. Fan blows cool air for 10 seconds. 750W heater turns on and blows warm air.</li> <li><b>Press again.</b> Indicator lights up. 1500W heater turns on and blows hot air.</li> <li><b>Press again.</b> Heaters turn off. The fan blows cool air for 10 seconds to allow heater to cool down, then turns off.</li> </ol>
 <b>SPEED</b>	<p><b>Flame speed button:</b> Controls the speed of the flame. There are 3 flame speed settings: 01 (slowest), 02 (Medium), 03 (fastest).</p>	<ol style="list-style-type: none"> <li><b>Press once.</b> Flame speed gets changing.</li> <li><b>Press again</b> until desired setting is reached. Display shows the setting.</li> </ol> <p>The Default setting is 03 (fastest speed)</p>
 <b>SPEAKER</b>	<p><b>Speaker button:</b> Turns the speaker on /off and lower the sound.</p> <p><b>Note:</b> When the fireplace is turned on, it comes with sound of speaker.</p> <p><b>Note:</b> This button is only available on REMOTE CONTROL.</p>	<ol style="list-style-type: none"> <li><b>Press once.</b> The speaker turned on</li> <li><b>Press again.</b> The speaker sound lower</li> <li><b>Press again.</b> The speaker turned off.</li> </ol>



 THERMOSTAT	<b>LED Down light button ( 1 ):</b> Makes the color on TOP effect changing.  <b>NOTE:</b> Down light color effect stays on until power button is turned off.							1. Press once. The display becomes active and shows the temperature level. 2. press again until the desired temperature setting is reached. The digital display shows the settings as shown in the table below.						
	NO	0	1	2	3	4	5	6	7	8	9	10	11	12
	°C	18	19	20	21	22	23	24	25	26	27	28	29	30
	°F	64	66	68	70	72	74	76	78	80	82	84	86	88

**NOTICE** When the heater is first turned on, a slight odor may be present. This is normal and should not occur again unless the heater is not used for a long period of time.

**NOTICE** To improve operation, **aim** the remote control at the front of the fireplace. **DO NOT press the buttons too quickly.** Give the unit time to respond to each command.

## Temperature Limiting Control

This heater is equipped with a Temperature Limiting Control. Should the heater reach an unsafe temperature, the heater will automatically turn OFF. To reset:

1. Unplug the power cord from the outlet.
2. Turn the ON/OFF switch on the CONTROL PANEL to OFF. **Wait 5 minutes.**
3. Inspect the fireplace to make sure no vents are blocked, or clogged with dust or lint. If they are, use a vacuum to clean the vent areas.
4. With the POWER switch in the OFF position, plug the power cord back into the outlet.
5. If the problem continues, have your outlet and wiring inspected by a professional.

## Remote Control Battery Information

- Remote control uses one **CR2025** battery (**Included**)



**NEVER** dispose of batteries in **fire**. Failure to observe this precaution **may result in an explosion**. Dispose of batteries at your local hazardous material processing center.

## Care and Maintenance

### Cleaning



**ALWAYS** turn the heater **OFF** and **unplug the power cord from the outlet** before cleaning, performing maintenance, or moving this fireplace. Failure to do so could result in **electric shock, fire, or personal injury**.



**NEVER** immerse in water or **spray with water**. Doing so could result in **electric shock, fire, or personal injury**.

### Metal:

- Buff using a soft cloth, slightly dampened with a citrus oil-based product.
- **DO NOT** use brass polish or household cleaners as these products will damage the metal trim.

**Glass:**

- Use a good quality glass cleaner sprayed onto the cloth or towel. Dry thoroughly with a paper towel or lint-free cloth.
- **NEVER** use abrasive cleansers, liquid sprays, or any cleaner that could scratch the surface.

**Vents:**

- Use a vacuum or duster to remove dust and dirt from the heater and vent areas.

**Plastic:**

- Wipe gently with a slightly damp cloth and a mild solution of dish soap and warm water.
- **NEVER** use abrasive cleansers, liquid sprays, or any cleaner that could scratch the surface.

**Maintenance**

**Risk of electric shock! DO NOT OPEN any panels ! No user-serviceable parts inside!**



**ALWAYS** turn the heater **OFF** and **unplug the power cord from the outlet** before cleaning, performing maintenance, or moving this fireplace. Failure to do so could result in **electric shock, fire, or personal injury.**

**Electrical and Moving Parts:**

- The fan motors are lubricated at the factory and will not require lubrication.
- Electrical components are integrated in the fireplace and are not serviceable by the consumer.

**Storage:**

- Store heater in a clean dry place when not in use.



**WARNING! NO SERVICING** of the internal or electrical parts should be performed by the consumer. Do not service the unit yourself.

**WEEE:****Meaning of crossed –out wheeled dustbin:**

Do not dispose of electrical appliances as unsorted municipal waste, use separate collection facilities. Contact you local government for information regarding the collection systems available. If electrical appliances are disposed of in landfills or dumps, hazardous substances can leak into the groundwater and get into the food chain, damaging your health and well-being.

When replacing old appliances with new ones, the retailer is legally obligated to take back your old appliance for disposals at least free of charge.

**VisionLine**

**444 Swan Street  
Richmond,  
Victoria  
3121  
Australia**

**Phone :- 1300 219 875 or 9429 5573**

**email :- [info@visionlinefire.com.au](mailto:info@visionlinefire.com.au)**