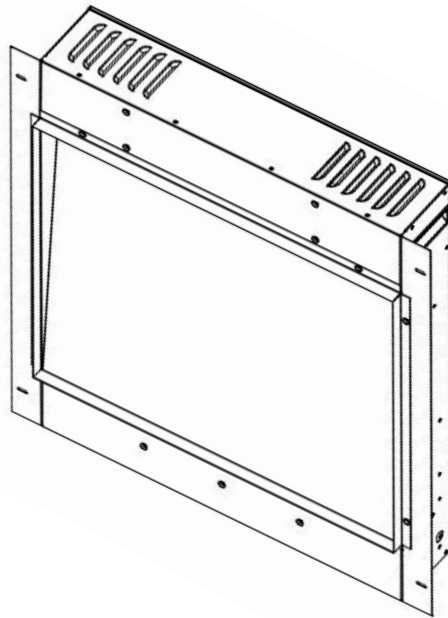


# INSERT ELECTRIC FIREPLACE HEATER

## OWNER'S MANUAL MODEL: VL24



**AC 220-240V 50Hz 1400-1600W**

### **⚠ WARNING**

**Read and understand** this entire owner's manual, including **all safety information**, before **plugging in** or **using** this product. Failure to do so could result in **fire, electric shock, or serious personal injury**.

### **⚠ CAUTION**

**Keep this owner's manual** for future reference. If you sell or give this product away, **make sure this manual accompanies this product**.

**vision**LINE™  
fireplace systems

# IMPORTANT SAFETY INFORMATION!

## WARNING

- **Read all instructions before using this fireplace!**
- **DO NOT** operate any fireplace with a **damaged cord or plug** or after the **fireplace malfunctions**, has been **dropped** or **damaged in any manner**. Discard fireplace, or return to authorized service facility for examination and/or repair.
- **DO NOT** run **power cord** under carpeting. **DO NOT** cover power cord with throw rugs, runners, or similar coverings. **DO NOT** route power cord under furniture or appliances. Arrange power cord **away from traffic area**, and where it will not be tripped over.
- **Connect to properly grounded outlets ONLY.**
- **DO NOT** insert or allow foreign objects to enter any ventilation or exhaust opening, as this may cause **electric shock** or **fire**, or **damage the fireplace**.
- To prevent a possible fire, **DO NOT** block air intakes or exhaust in any manner. Doing so could cause a **fire**. **DO NOT** use on soft surfaces, like a bed, where openings may become blocked.
- A fireplace has **hot and arcing or sparking parts inside**. **DO NOT** use it in areas where **gasoline, paint, or flammable liquids** are used or stored.
- **Use this fireplace only as described in this manual. Any other use not recommended by the manufacturer may cause fire, electric shock, or injury to persons.**
- **AVOID FIRE!** Regularly inspect all air vents to make sure they are free from dust, lint, or other blockage. **Unplug the unit** and clean with a **vacuum ONLY**. **DO NOT** rinse or get wet.
- **NEVER** hang this unit on a wall **directly below an electrical outlet**.
- **ALWAYS** mount to wall bracket before use. **DO NOT** set on the floor, or other surface, to use.
- **NEVER** use a wall mount bracket from another manufacturer.
- **For residential use only! NOT for commercial use!** Any commercial or public use of this fireplace **voids all warranties**, and could cause **injury**.
- This product is **not intended** to be a **primary heat source**. It is for **supplemental heat only. INDOOR and OUTDOOR use!**
- **Risk of electric shock! DO NOT OPEN!** No user-serviceable parts inside!
- **NEVER modify this fireplace.** Doing so could result in personal **injury** or property **damage**. Modification of this fireplace **completely voids all warranties**.
- **ALWAYS** turn this fireplace off before unplugging it from the outlet.
- **ALWAYS disconnect** this unit from the **power supply before** performing any assembly or cleaning, or before relocating the electric fireplace.
- **NEVER** leave this fireplace unattended. **ALWAYS** unplug this fireplace when not in use.
- **ONLY** use this fireplace on a **220-240V AC 10-Amp grounded circuit**. **NEVER overload the circuit**. If this fireplace trips the circuit breaker, unplug all other appliances on the same circuit before the next use. Avoid plugging other appliances into the same circuit as this fireplace.

- **NEVER** plug this fireplace into an outlet that is **old, cracked**, or has any **loose wires or connections**. Plugging this fireplace into a faulty outlet could result in **electric arcing** within the outlet that could cause the **outlet to overheat or catch fire**.
- **ALWAYS** check your fireplace cord and plug connections with **each use!**
  - i) **MAKE SURE** the plug fits tight in the outlet! Faulty wall outlet connections or loose plugs can cause the outlet to overheat.
  - ii) **fireplaces draw more current** than small appliances. **Overheating** may occur even if it has not occurred with the use of other appliances.
  - iii) During use **check frequently** to see if the **plug outlet or faceplate** is **HOT!**
  - iv) If the outlet or face plate is **HOT**, **discontinue use immediately** and have a qualified electrician inspect and/or replace the faulty outlets.

# Preparation

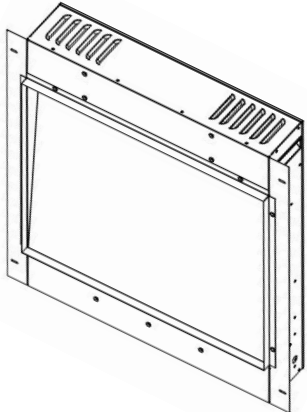

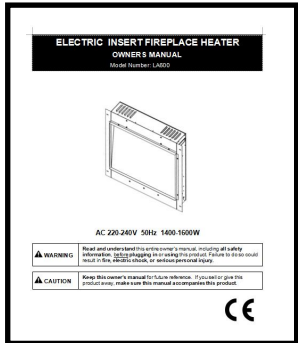
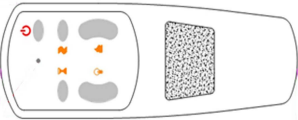


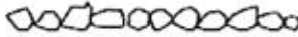
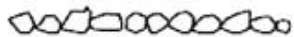




This product includes a **GLASS panel!** Always use **extreme caution** when **using**. Failure to do so could result in **personal injury** or **property damage**.

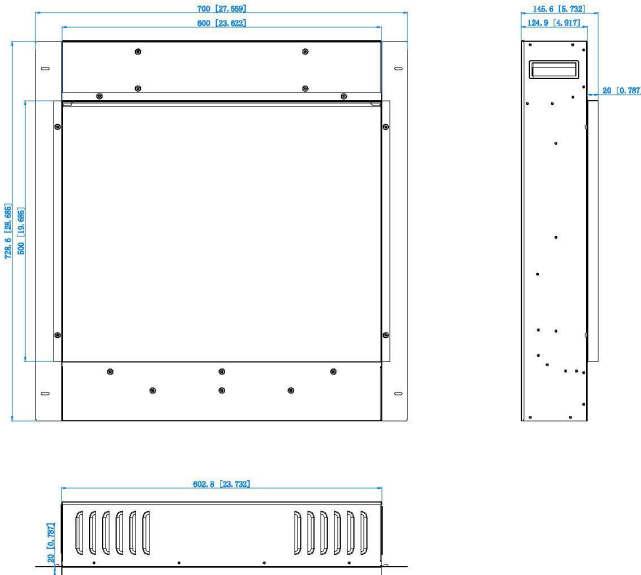
Remove all parts and hardware from the carton and place them on a clean, soft, dry surface. Check the parts list to make sure nothing is missing. Dispose of packaging materials properly. Please recycle whenever possible.

**You will need the following tools (not included):** Phillips screwdriver, level, tape measure, hand or electric drill, hammer, 1/4" wood drill bit

# Parts and Hardware

 <p><b>A – Fireplace</b></p>			
	<p><b>B – Power Cord (Connected)</b></p>		
	<p><b>C – Remote Control</b></p>		<p><b>D- Instruction Manual</b></p>
			
	<p><b>E – Wood Screws</b></p>		<p><b>F – Drywall Anchors</b></p>
			
	<p><b>G - Clear Crystals</b></p>		<p><b>H - Dark Tea Crystals</b></p>
			
	<p><b>I - Log Set (Placed on fuel bed)</b></p>		<p><b>J- Drift Log Pieces</b></p>

# Specification and Dimension



Description	Electric Fireplace
Type	2 Way Installation Unit: Recess into Wall and Assemble with mantel
Voltage	220V AC
Watts	MAX 1600W
Amps	10 AMP Earthed Circuit
Overall Dimension	Width: 700mm
	Height: 728.6mm
	Depth: 145.6mm

# Installation and Assembly

Your appliance is recessed and/or mantel installed appliance. Select a suitable location that is not susceptible to moisture and is away from drapes, furniture and high traffic areas.

**NOTE: Before the installation, connect the Power Cord (B) with FIREBOX; make sure the cord is not loose.**

**NOTE: Follow all National and local electrical codes.**

## MINIMUM CLEARANCE TO COMBUSTIBLES

Measurements are taken from the firebox.			
Bottom	0"	Top	11.8" (300mm) to mantel top
Sides	0"		
Back	2" (50.8mm)		

# Operation

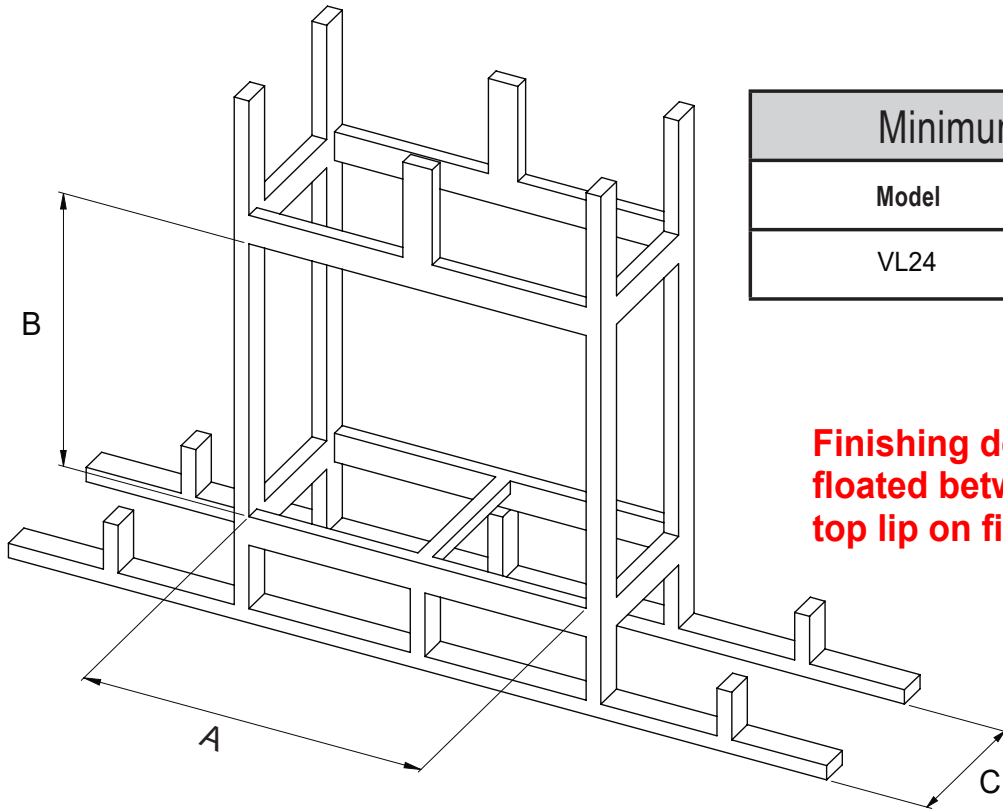


**Read and understand** this entire owner's manual, including **all safety information**, before plugging in or **using** this product. Failure to do so could result in **electric shock, fire, serious injury, or death.**

## Power

Plug the power cord into a 220~240 Volt 10 Amp grounded outlet (see **IMPORTANT SAFETY INFORMATION** on **Pages 2 & 3**). Make sure the outlet is in good condition and the plug is not loose. **NEVER** exceed the maximum amperage for the circuit. **DO NOT** plug other appliances into the same circuit.

## FRAMING OPENING DIMENSIONS



Minimum Framing Specifications			
Model	A	B	C
VL24	700mm	780mm	150mm

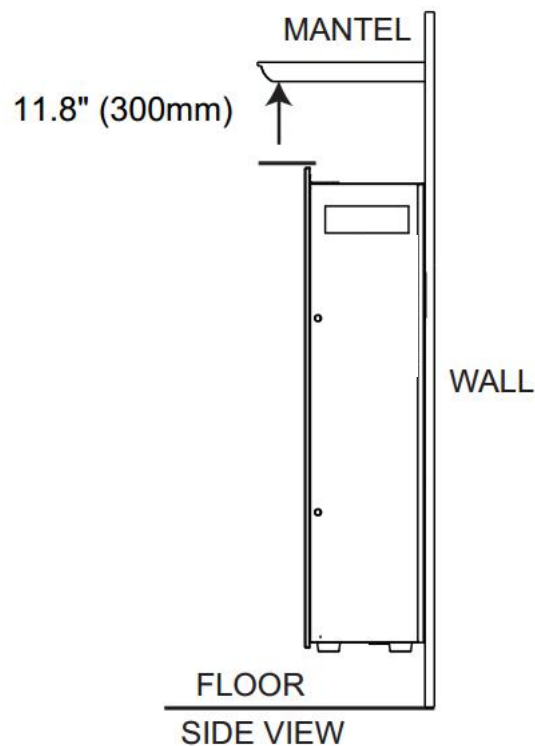
↑  
Front of stud to front of stud

**Finishing detail - 50mm of plaster to be floated between top framing stud and top lip on fireplace.**

## MINIMUM MANTEL CLEARANCES

### WARNING

WHEN USING PAINT OR LACQUER TO FINISH THE MANTEL, THE PAINT OR LACQUER MUST BE HEAT RESISTANT TO PREVENT DISCOLOURATION.

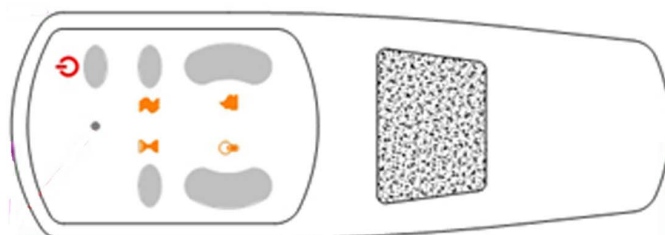
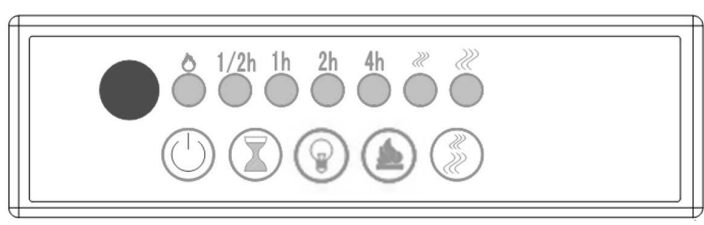
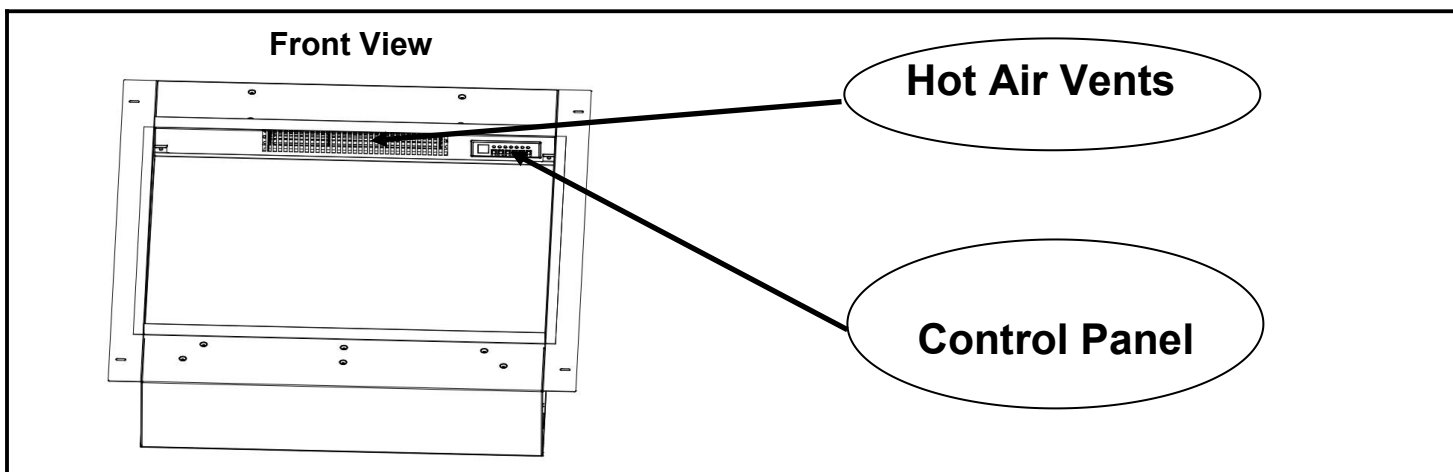


## Methods of Operation




This electric fireplace can be operated by the CONTROL PANEL, above the upper right hand glass panel of the fireplace (**see figure below**), or by the battery-powered REMOTE CONTROL(C).




The operation and functions of the two methods are the same.

Before operating, please review the **IMPORTANT SAFETY INFORMATION** on **Pages 2 & 3** and heed all warnings.



## Control Panel/Remote Control Operation

BUTTON	FUNCTION	ACTION & INDICATION
 <b>POWER</b>	<b>ON:</b> Enables control panel functions and remote control. Turns on flame effect. <b>OFF:</b> Disables control panel functions and remote control. Turns off flame effect.	1. <b>Press once.</b> Indicator light turns on. Power turns on. All functions enabled. 2. <b>Press again.</b> Flame effect turns off. Unit goes to standby. All functions turn off.
 <b>FLAME</b>	<b>FLAME button:</b> Makes flame effect dimmer and brighter. <b>NOTE:</b> Flame effect stays on until power button is turned off. Flame effect must be on for heater to turn on.	1. <b>Press once.</b> Flame brightness effect gets changing. 2. <b>Press again.</b> until desired setting is reached.
 <b>COLOUR</b>	<b>COLOR button:</b> Makes the color flame effect changing. <b>NOTE:</b> color effect stays on until power button is turned off. Color flame effect	1. <b>Press once.</b> Flame color effect gets changing. 2. Press again until desired setting is reached.

 <p><b>HEATER</b></p>	<p><b>HEATER button:</b> Turns heater on and off.</p> <p><b>NOTE:</b> The heater only works when the flame effect is on. If the flame effect is off, the heater will not turn on.</p> <p><b>NOTE:</b> To prevent overheating, the heater fan will blow cool air for 8-10 seconds before the heater turns on, and after the heater turns off.</p>	<ol style="list-style-type: none"> <li><b>Press once.</b> Indicator lights up. Fan blows cool air for 10 seconds. 750W heater turns on and blows warm air.</li> <li><b>Press again.</b> Indicator lights up. 1500W heater turns on and blows hot air.</li> <li><b>Press again.</b> Heaters turn off. The fan blows cool air for 10 seconds to allow heater to cool down, then turns off.</li> </ol>
 <p><b>TIMER</b></p>	<p><b>TIMER button:</b> Controls timer settings to turn off fireplace at selected time. Settings range from 0.5 hours to 7.5 hours.</p>	<ol style="list-style-type: none"> <li><b>Press once.</b> Indicator light turns on. Timer is set to 0.5 hours.</li> <li><b>Press again</b> until desired setting is reached. Indicator lights show setting. </li> </ol>

**NOTICE** When the heater is first turned on, a slight odor may be present. This is normal and should not occur again unless the heater is not used for a long period of time.

**NOTICE** To improve operation, **aim** the remote control at the front of the fireplace. **DO NOT press the buttons too quickly.** Give the unit time to respond to each command.



## Temperature Limiting Control

This heater is equipped with a Temperature Limiting Control. Should the heater reach an unsafe temperature, the heater will automatically turn OFF. To reset:

1. Unplug the power cord from the outlet.
2. Turn the ON/OFF switch on the CONTROL PANEL to OFF. **Wait 5 minutes.**
3. Inspect the fireplace to make sure no vents are blocked, or clogged with dust or lint. If they are, use a vacuum to clean the vent areas.
4. With the POWER switch in the OFF position, plug the power cord back into the outlet.
5. If the problem continues, have your outlet and wiring inspected by a professional.

## Remote Control Battery Information

- This remote control uses **two AAA batteries (included)**.



**NEVER** dispose of batteries in **fire**. Failure to observe this precaution **may result in an explosion**. Dispose of batteries at your local hazardous material processing center.

## Care and Maintenance

### Cleaning



**ALWAYS** turn the heater **OFF** and **unplug the power cord from the outlet** before cleaning, performing maintenance, or moving this fireplace. Failure to do so could result in **electric shock, fire, or personal injury**.



**NEVER** immerse in water or **spray with water**. Doing so could result in **electric shock, fire, or personal injury**.

### Metal:

- Buff using a soft cloth, slightly dampened with a citrus oil-based product.
- **DO NOT** use brass polish or household cleaners as these products will damage the metal trim.

### Glass:

- Use a good quality glass cleaner sprayed onto the cloth or towel. Dry thoroughly with a paper towel or lint-free cloth.
- **NEVER** use abrasive cleansers, liquid sprays, or any cleaner that could scratch the surface.

### Vents:

- Use a vacuum or duster to remove dust and dirt from the heater and vent areas.

### Plastic:

- Wipe gently with a slightly damp cloth and a mild solution of dish soap and warm water.
- **NEVER** use abrasive cleansers, liquid sprays, or any cleaner that could scratch the surface.

## Maintenance



**Risk of electric shock! DO NOT OPEN any panels. No user-serviceable parts inside!**



**ALWAYS** turn the heater **OFF** and **unplug the power cord from the outlet** before cleaning, performing maintenance, or moving this fireplace. Failure to do so could result in **electric shock, fire, or personal injury.**

### Electrical and Moving Parts:

- The fan motors are lubricated at the factory and will not require lubrication.
- Electrical components are integrated in the fireplace and are not serviceable by the consumer.

### Storage:

- Store heater in a clean dry place when not in use.



**WARNING! NO SERVICING** of the internal or electrical parts should be performed by the consumer. Do not service the unit yourself.

**VisionLine  
444 Swan Street  
Richmond,  
Victoria  
3121  
Australia**

**Phone :- 1300 219 875 or 9429 5573  
email :- [info@visionlinefire.com.au](mailto:info@visionlinefire.com.au)**